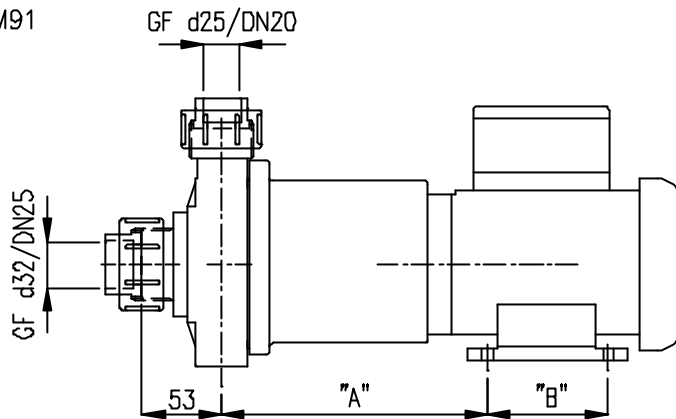
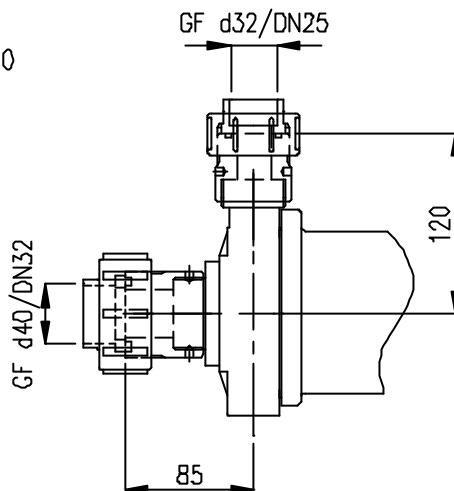


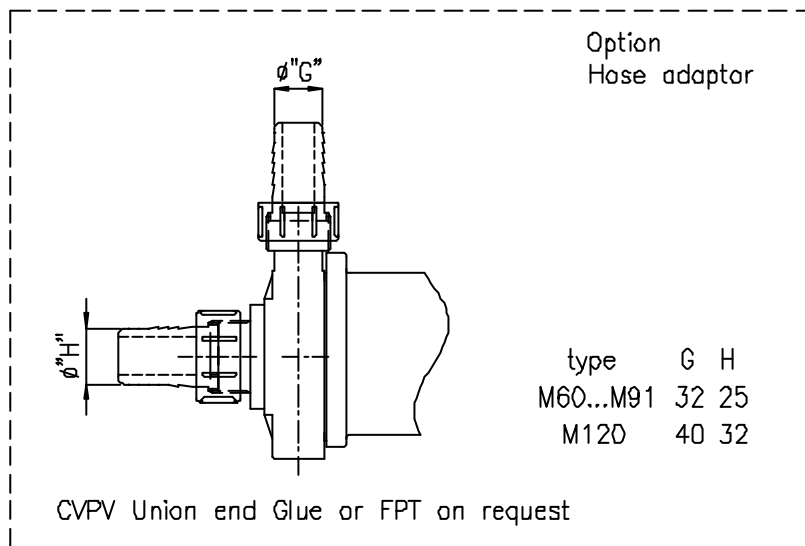
M60...M91



M120



type	A	B	C	D	E	F
M60	177	80	100	125	170	63
M62...M120	182	90	112	142	190	71



type	G	H
M60...M91	32	25
M120	40	32

CVPV Union end Glue or FPT on request

THIS INFORMATION IS CONFIDENTIAL AND IS NOT TO BE DISCLOSED WITHOUT WRITTEN AUTHORIZATION FROM HENDOR POMPEEN B.V. BLADEL.



material	PP/PVDF	drv.	H. Goorman	scale	1 : 5	www.hendor.com
mat. size	All sizes in mm	date	07-01-2003		Man 3.2	
		chk.				Overall tolerance $\pm 1\text{mm}$ Angle tolerances $\Delta \pm 1^\circ$
				MAGNETIC DRIVE PUMP M60...M120-PP/PVDF		drw. no. 000-001-707 size
Chk.	Date	No.				File no. 0-001707 A4