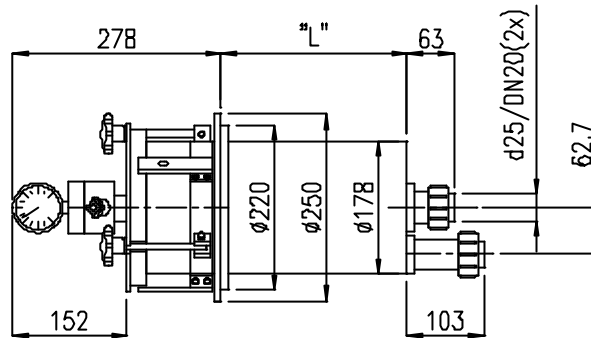
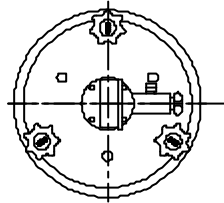
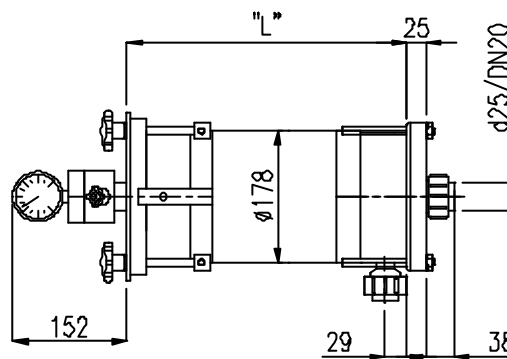
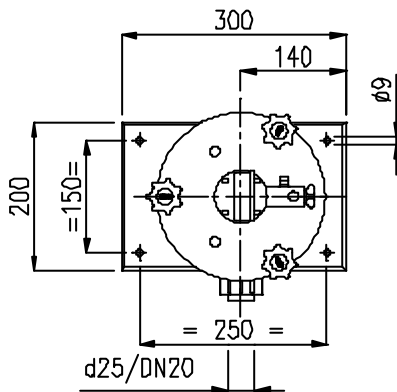


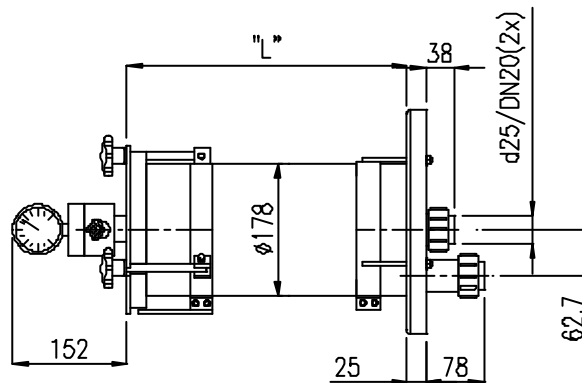
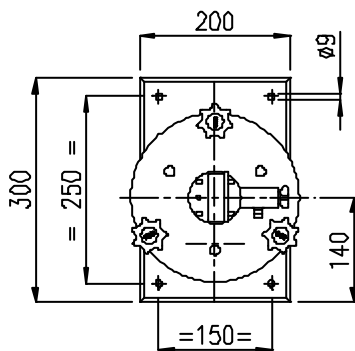
"L"
 FIT-31Z-K/P (10") 248
 FIT-32Z-K/P (20") 502



"L"
 FIT-31A-K/P (10") 248
 FIT-32A-K/P (20") 502



"L"
 F-31Z-K/P (10") 374
 F-32Z-K/P (20") 628



"L"
 F-31A-K/P (10") 374
 F-32A-K/P (20") 628

material	PP	drw.	H. Goorman	scale	1 : 10	www.hendor.com		
mat. size	All sizes in mm	date	28-01-2003	Man 3.2	Overall tolerance $\pm 1\text{mm}$		Angle tolerances $\Delta \pm 1^\circ$	
chk.		FILTERCHAMBER F(IT)-31/32A/Z-K/P-PP				drw. no.	000-001-701	size A4
Chk.	Date					No.	File no.	