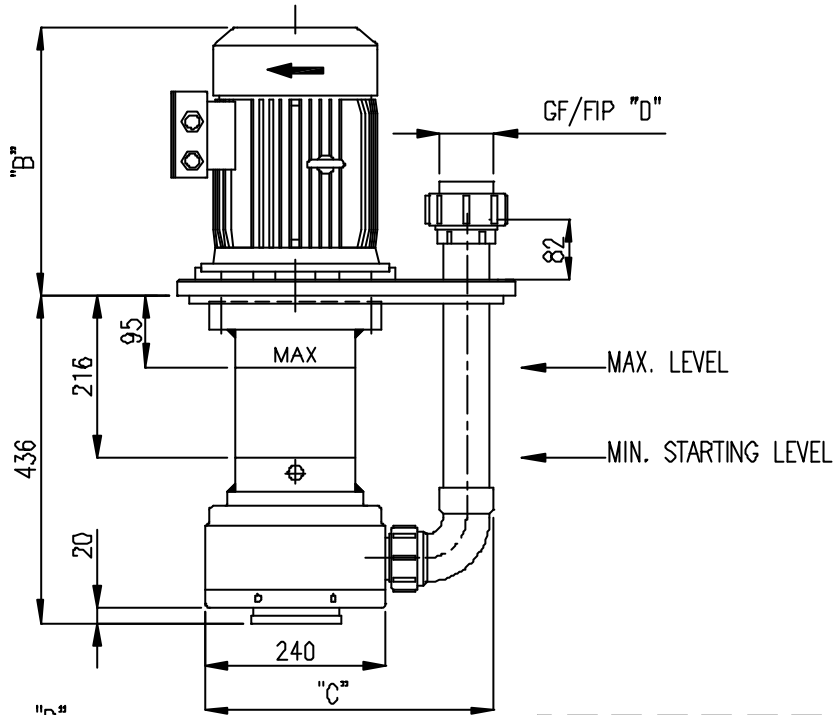
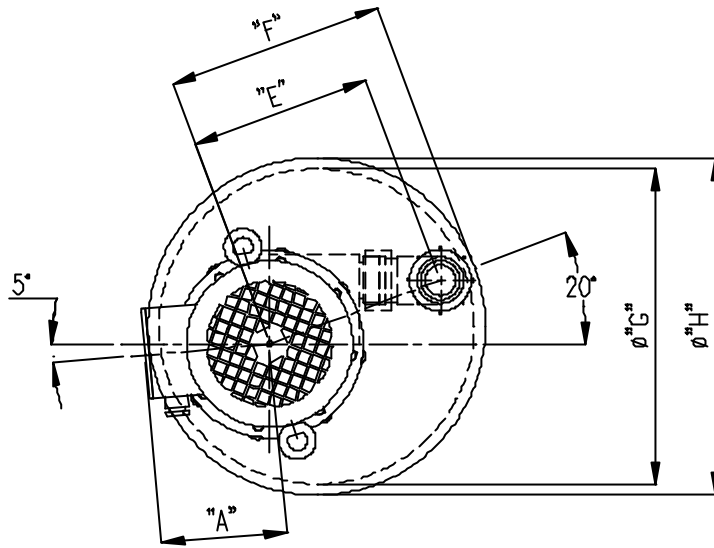


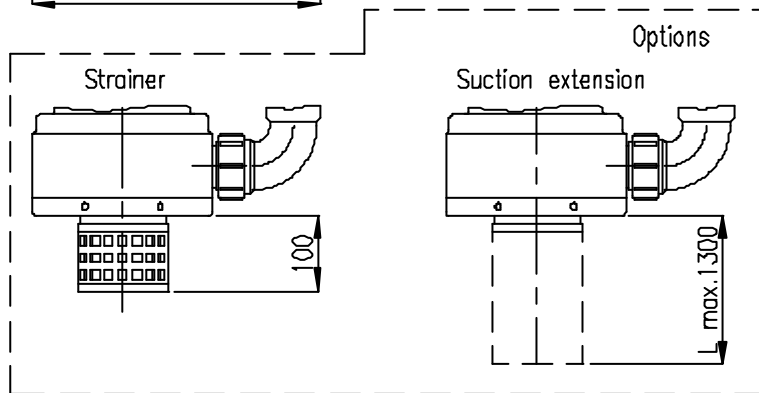
THIS INFORMATION IS CONFIDENTIAL  
 AND IS NOT TO BE DISCLOSED WITHOUT WRITTEN AUTHORIZATION  
 FROM HENDOR POMPEN B.V. BLAER.



	"A"	"B"	"C"	"D"
D241	167	359	385	d63/DN50
D242	199	404	385	d63/DN50
D243	210	440	385	d63/DN50
D244	210	440	416	d75/DN65

	"E"	"F"	"G"	"H"
D241	243	292	420	450
D242	243	292	420	450
D243	243	292	420	450
D244	265	322	450	480



material	PP	drw.	H. Goorman	scale	1 : 10	www.hendor.com		
mat. size	All sizes in mm	date	17-04-2002		Man 3.2			
		chk.				Overall tolerance $\pm 1\text{mm}$ Angle tolerances $\Delta \pm 1^\circ$		
VERTICAL PUMP D241...D244-PP						drw. no.	000-001-677	size A4
						File no.	0-001677	
						HG	11-12-2002	1
Chk.	Date	No.						