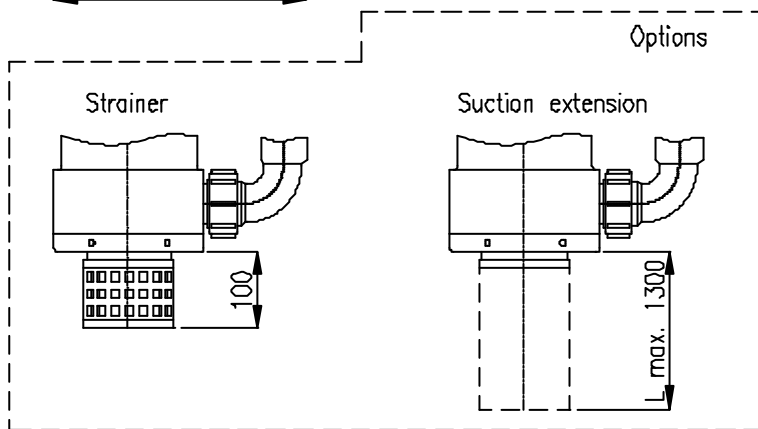
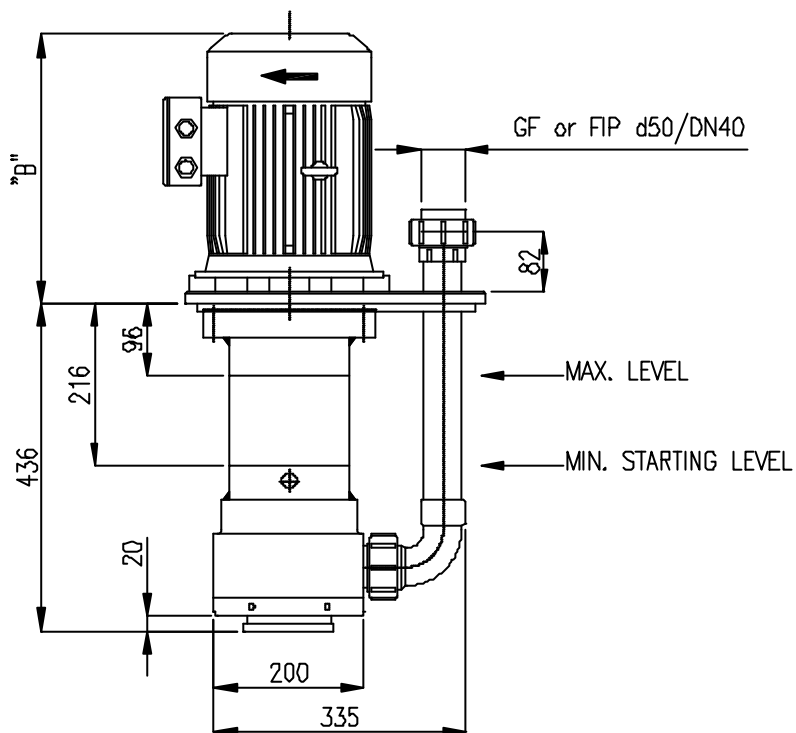
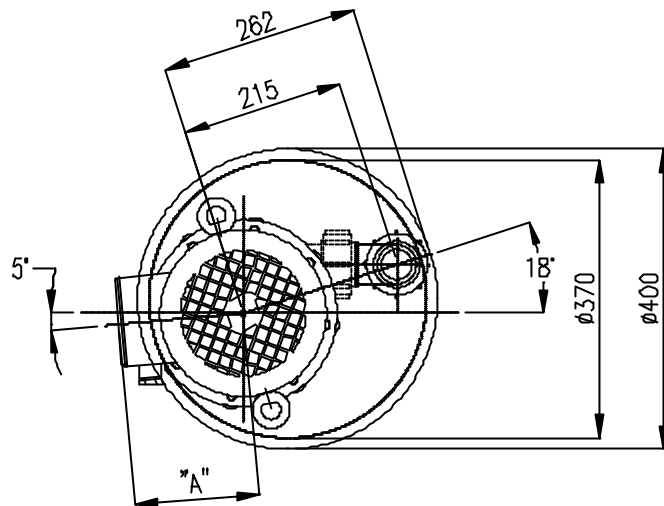


THIS INFORMATION IS CONFIDENTIAL
AND IS NOT TO BE DISCLOSED WITHOUT WRITTEN AUTHORIZATION
FROM HENDOR POMPEN B.V. BLADEL



	"A"	"B"
D201	167	359
D202	199	404
D203	210	440



material	PP	drw.	H. Goorman	scale	1 : 10	www.hendor.com			
mat. size	All sizes in mm	date	17-05-1999		Man 3.2		Overall tolerance $\pm 1\text{mm}$ Angle tolerances $\Delta \pm 1'$		
chk.		VERTICAL PUMP D201...D203-PP				drw. no.	000-001-221	size	A4
HG	06-12-2002					1	File no.	0-001221	
Chk.	Date					No.			