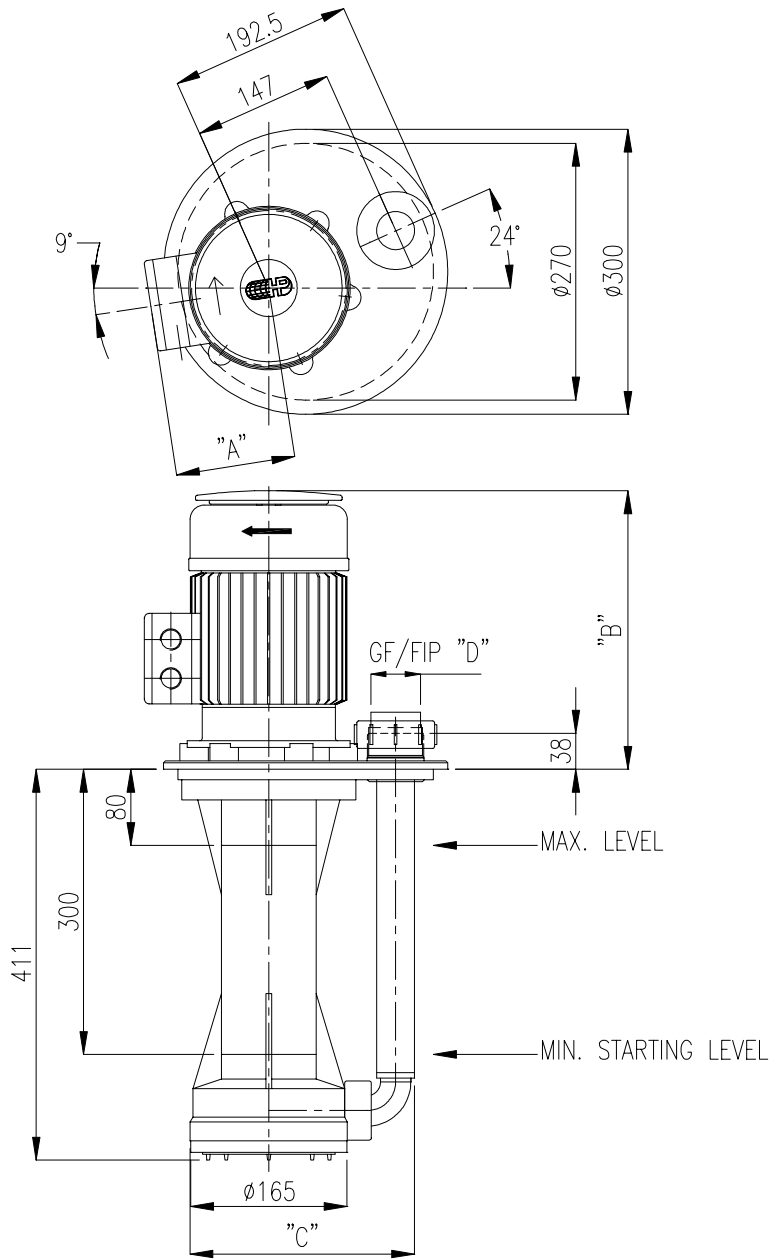
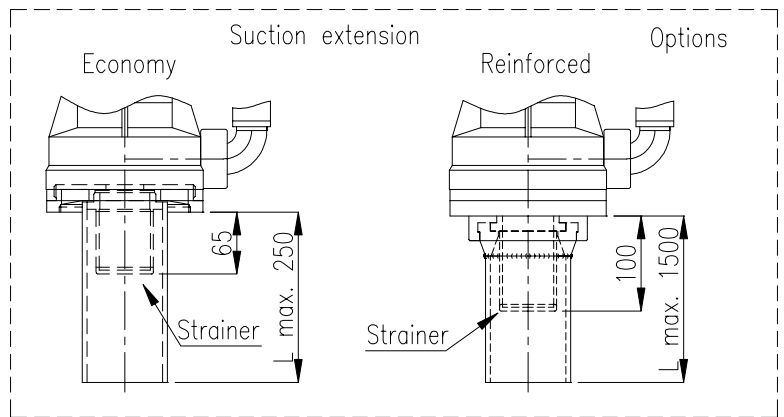


THIS INFORMATION IS CONFIDENTIAL  
 AND IS NOT TO BE DISCLOSED WITHOUT WRITTEN AUTHORIZATION  
 FROM HENDOR POMPEN B.V. BLADEL.



	"A"	"B"	"C"	"D"
D172	109	241	229	d25/DN20
D173	112	267	233	d32/DN25
D174	112	267	237	d40/DN32
D175	126	289	237	d40/DN32
D176	126	289	237	d40/DN32
D177	166	343	237	d40/DN32



material	PP / PVDF	drw.	H. Goorman	scale	1 : 8	www.hendor.com			
mat. size	All sizes in mm	date	05-12-2002		Man 3.2		Overall tolerance $\pm 1\text{mm}$ Angle tolerances $\Delta \pm 1^\circ$		
chk.		VERTICAL PUMP D172...D177-PP/PVDF				drw. no.	000-001-700	size	A4
						File no.	0-001700		
Chk.	Date					No.			