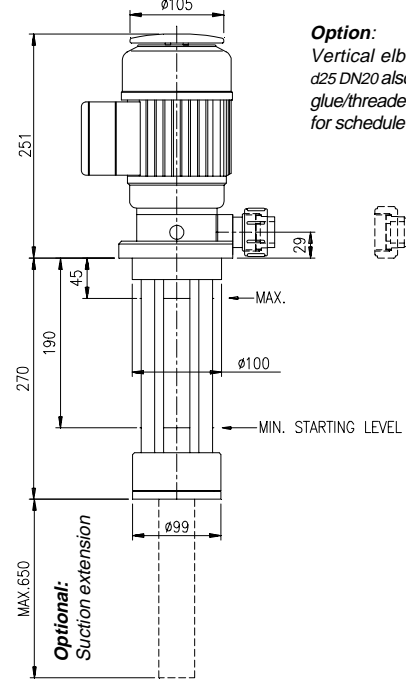
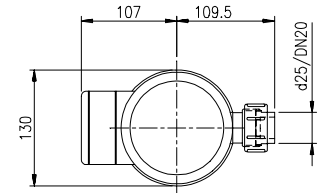
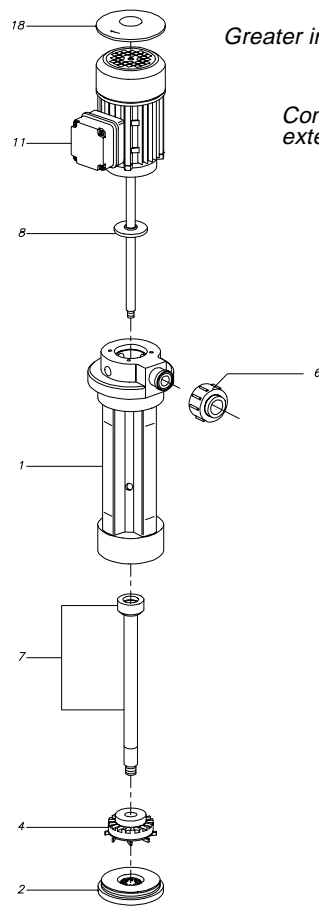
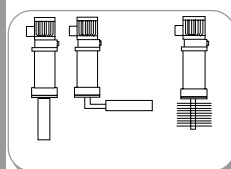
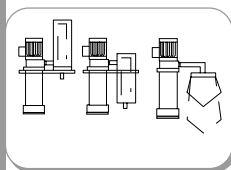
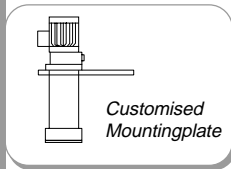
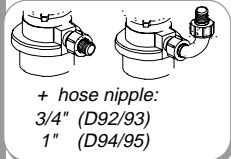


- Motor dripcover standard
- All PP Cooling fan, Coolingfancover + Switchbox
- All pump motors feature cooling ribs
- Multi voltage capability on most motors
- Epoxy coating for superior chemical resistance
- No bolt quick mount (™)
- Material PP max 80° C
- Material PVDF 100° C
- Integrated discharge-pipe standard
- Greater immersion depth
- Connection for suction-extension pipe standard
- Motor protection lift
- Standard outlet with GF-union
- Splash guard
- Full length motorshaft
- Full length shaft cover
- Suction strainer standard

OPTIONS



Type	kW	HP	Net kg
D92-PP/PVDF	0.12	1/6	5.9
D93-PP/PVDF	0.18	1/4	6.6
D94-PP/PVDF	0.25	1/3	7.0
D95-PP/PVDF	0.37	1/2	7.0

All 3 phase motors (IP55) have multi voltage capability:  
50 Hz (2900RPM) Y/Δ 346-440 / 200-254 V ± 5%  
60 Hz (3400RPM) Y/Δ 346-480 / 200-277 V ± 5%

Single phase motors on request

