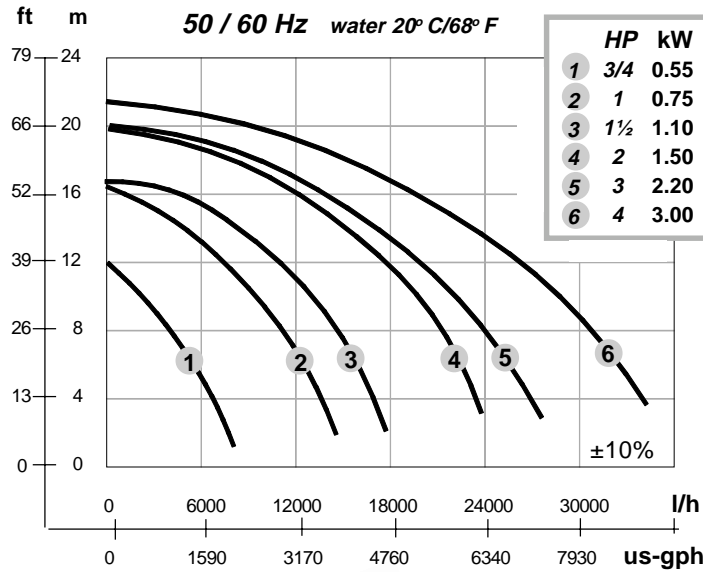
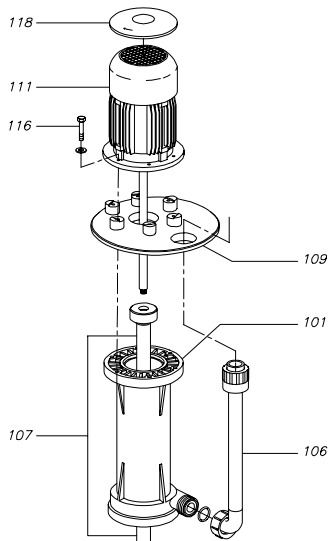




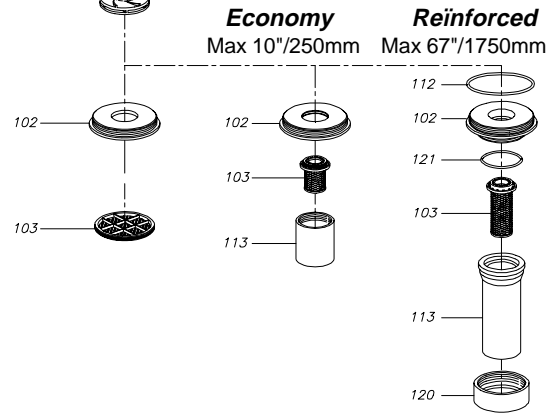
Flow/head

Suction extension



SOME GOOD REASONS...

- ALL PP MOTORDRIP COVER
- COOLING FAN COVER
- COOLINGFAN
- MOTOR JUNCTION BOX
- ONE PIECE MOTORSHAFT (no coupling)
- OVERSIZED MOTOR BALL BEARINGS for extra shaft stability
- FULL LENGTH SHAFT PROTECTION PIPE
- NO BOLT QUICK MOUNT
- OUT OF SOLUTION QUICK DISCONNECT
- NO METAL CONTACT WITH LIQUID
- SEALLESS PUMP, CAN RUN DRY
- OEM CUSTOMISING IS POSSIBLE (length, mountingplate, connections)

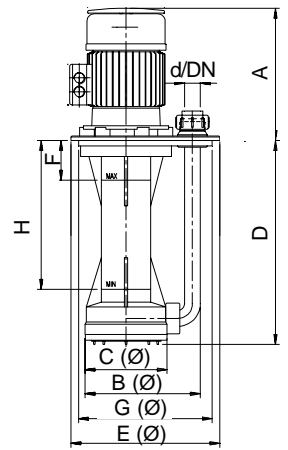
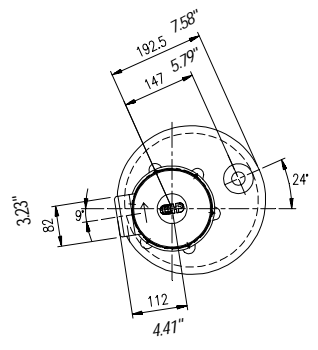


Nomenclature

x = standard, symbol not required

Series	HP kW	Strainer, suction ext.	mat.	Union	Socket	O-ring
D170	3/4 0.55	Flat, no ext. 400	PP	GF x	PP x	BUNA x
	1 0.75	High, no ext. H	PVDF	FIP F	PVDF x	VITON V
	1 1/2 1.10	High, economy E ...			CPVC C	
	2 1.50	High, reinforced R ...				
	3 2.20	quote length ↑				
	4 3.00					

ALWAYS QUOTE 3 phase multi voltage motors 50 Hz - 2900 rpm S/D 346-440/200-254V, +/- 5%
volts phase hertz 60 Hz - 3400 rpm S/D 346-480/200-277V, +/- 5%
1 phase motors only available for 3/4 + 1 HP, (0.55 + 0.75 kW)



Motor	Net Lbs	Inches	Motor	Net kg	mm
HP	pp pvdf	Pipesize A B	kW	pp pvdf	d/DN A B
1	33 37	3/4 9.84 9.00 C 6.69	0.55	15 17	25/20 250 229 C 170
2	38 42	1 10.63 9.45 D 16.18	0.75	17 19	32/25 270 240 D 411
3	40 44	1... 10.63 9.65 E 11.81	1.10	18 20	40/32 270 245 E 300
4	51 55	1... 11.42 9.65 F 3.15	1.50	23 25	40/32 290 245 F 80
5	55 60	1... 11.42 9.65 G 10.63	2.20	25 27	40/32 290 245 G 270
6	64 68	1... 11.42 10.04 H 11.81	3.00	29 31	40/32 360 255 H 300

