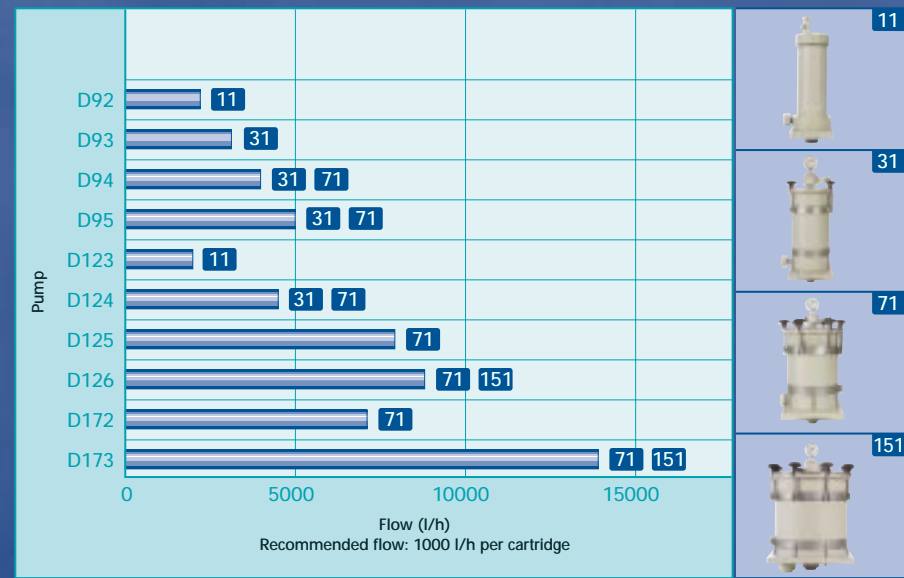
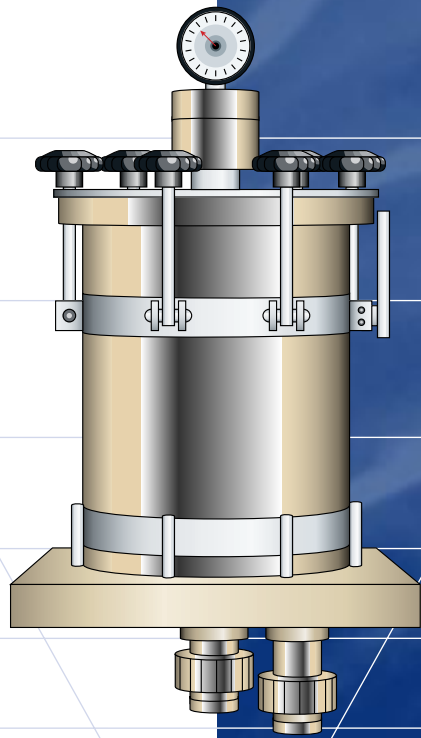
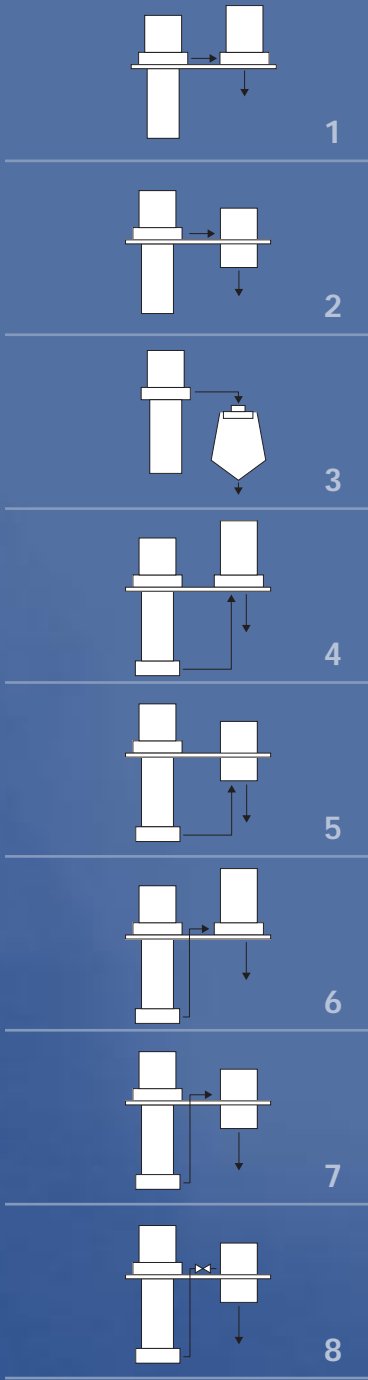


Matching pump and filterchamber



Design and realization: Comcorde GrafMedia, Bladel, The Netherlands

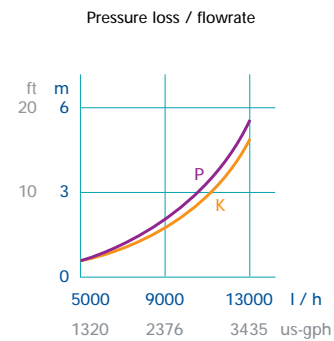
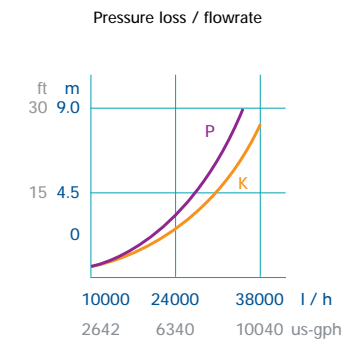
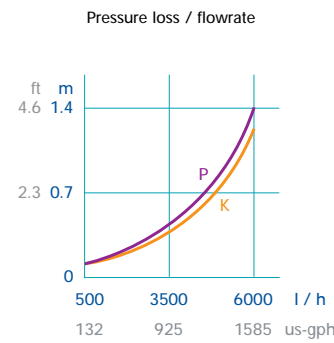
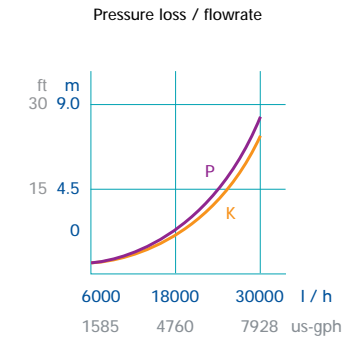
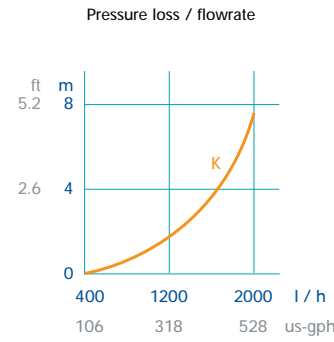
Filterchambers

Hendor filterchambers are the clear solution !

- Compact and robust, service friendly.
- Max temp PP 80°C, PVDF 100°C, SS316 100°C.
- All PP(PVDF) housings with 316SS *) external fasteners.
- Fixed bottom, no seals.
- No by-pass of unfiltered solution.

- All PP / PVDF chambers standard have unions as standard on inlet and outlet. Unions also available with CPVC sockets for CPVC / PVC pipework.
- "No bolt, quick mount" FIT models.

- Options:
 - Chambers available to accept SOE (single-open-ended) cartridges.
 - *) high phosphoric electroless nickel coating for strong Chloride-, Fluoride-, Bromide and Methane Sulphonic Acid environment (msa).
 - Hose connections.
 - Customised mounting plates.
 - SS bottom support plate for chambers with high pressure requirements.
 - Multi-chamber assembly for Series/Parallel applications.



— K = Cartridges
— P = Paper

Cartridges (K)*				
Type	qty.	Material		
10"	20"	PP	PVDF	SS
11	12	1	+	+
31	32	3	+	+
61	62	6		+
71	72	7	+	+
151	152	15	+	
	362	36	+	

* Double-Open-Ended

Discs (P)					
Type	OD x ID (mm)	10"	20"	Material	
10"	20"	qty / m ²	qty / m ²	PP	PVDF
11	12	-	-	-	-
31	32	136 x 32	32 / 0,4	65 / 1,0	+
71	72	205 x 32	32 / 0,9	65 / 2,1	+
	151	280 x 50	32 / 1,9	65 / 4,0	+
		362	460 x 100	50 / 9,0	+
		362	460 x 100 H**	37 / 5,0	+

** Discs with larger dirt holding capacity

Bag(B)			
Type	L x OD (mm)	Material	
		PP	SS
7A-B1	430 x 180	+	
7A-B2	860 x 180	+	
3-ZB2	400 x 100		+
7-ZB2	860 x 180		+

	Connections		in/out	Option: in/out
	Type	Material	d / DN (mm)	d / DN (mm)
cartridge-/disc filters	1*	PP / PVDF	20 / 15	-
	3*	PP	25 / 20	32 / 25
	7*	PP / PVDF	32 / 25	40 / 32
	15*	PP	40 / 32	50 / 40
	36*	PP	63 / 50	-
cartridge filter	Type	Material	BSP- F	d / DN (mm)
	3*	SS	1-1/2"	-
bag filter	6*		2"	-
	3*	SS	1-1/4"	-
	7*		2"	-

Type	Max. pressure at 20° C			
	Pressure gauge standard model		With optional SS bottom support plate	
	Bar	PSI	Bar	PSI
31	1	15		
71	1,6	23	5	72
151	1,6	23	5	72
362	2,5	36	5	72